



# Product Data Sheet

Multiband Bracket Mount Antenna

# M2M & ISM Band

## Bracket Mount Antenna

- Mesh Network
- Omni Directional
- Pentaband
- ROHS Compliant
- GPRS GPRS
- SCADA
- UMTS UMTS
- WiMAX



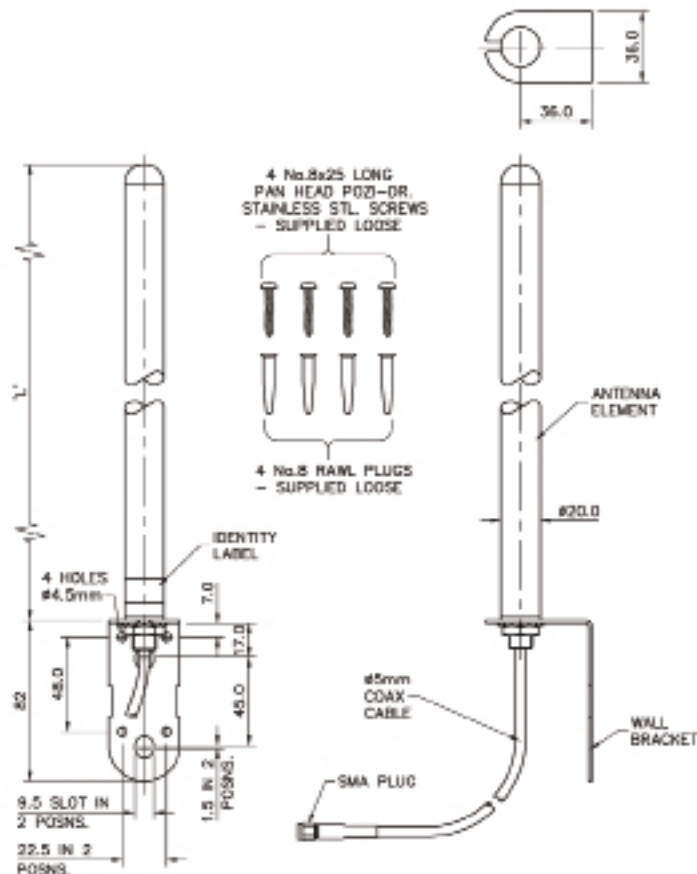
### B2BE

- Improve range
- Cost effective
- Easy installation
- Wall mount or mast mount

The B2BE range has been designed as a cost effective antenna to provide longer range. The omni-directional radiation pattern allows the antenna to be quickly installed.

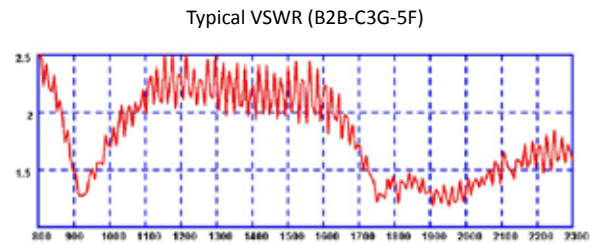
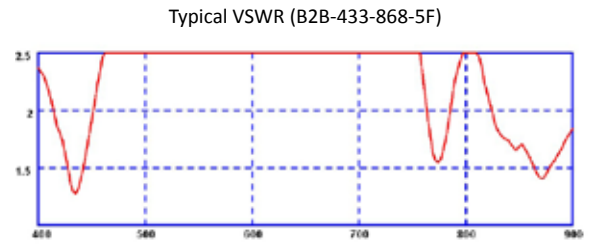
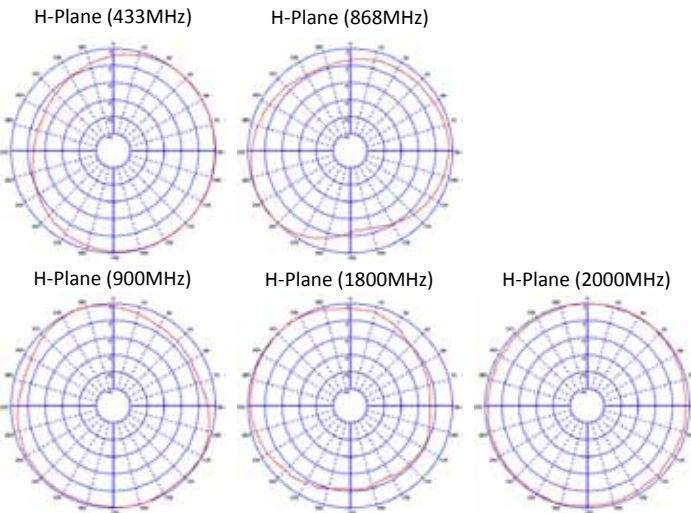
These antennas provide an ideal solution for infill coverage or a gain subscriber solution.

### Technical Drawing



# M2M & ISM Band

## Bracket Mount Antenna



Part No.		B2BE-433-868-5SP	B2BE-C3G-5SP	B5BE-2300-5SP
<b>Electrical Data</b>				
Frequency Range (MHz)		420-450, 840-890	805-960, 1710-2170	2200-2500
Operational Band		ISM433, ISM868	AMPS / GSM850, GSM900, GSM1800, PCS1900, 3G UMTS	2.3GHz WiMAX
Bandwidth at 2:1 VSWR		8%	8%	8%
Gain: Isotropic		2dBi	2dBi	5dBi
Compared to ¼ wave		0dB	0dB	3dB
Pattern		Omni-directional	Omni-directional	Omni-directional
Polarisation		Vertical	Vertical	Vertical
Impedance		50Ω	50Ω	50Ω
Max Input Power (W)		20	20	20
<b>Mechanical Data</b>				
Dimensions (mm)	Height Mounted	412	212	250
	Diameter	20	20	20
Operating Temp (°C)		-40° / +80°C	-40° / +80°C	-40° / +80°C
Material		Engineering Plastic	Engineering Plastic	Engineering Plastic
Colour		Black	Black	Black
<b>Mounting Data</b>				
Fixing		Wall mount or Mast mount	Wall mount or Mast mount	Wall mount or Mast mount
Mounting Bracket (mm)	Height	82	82	82
	Off set from wall	36	36	36
<b>Cable Data</b>				
Type		CS23	CS23	CS23
Thickness (mm)		5	5	5
Length (m)		5	5	5
Termination		SMA Plug	SMA Plug	SMA Plug

**Panorama Antennas Ltd**

Frogmore, London, SW18 1HF, United Kingdom

T: +44 (0)20 8877 4444

F: +44 (0)20 8877 4477

E: [sales@panorama-antennas.com](mailto:sales@panorama-antennas.com)

[www.panorama-antennas.com](http://www.panorama-antennas.com)